

# UNIZ Dental Software

Uniz Dental software enhances precision and efficiency in dental procedures.



## Conversion Capabilities

Trimming, filling, hollowing, drain hole, adding base, and text marking enable the conversion of oral scan data to dental models.



## User-Friendly Process

The application-based process is simple and easy to use.



## Intelligent Placement

Auto-orientation and auto-layout features ensure intelligent placement.



## Risk Detection

The enclosed chamber (cup) and collision detection intelligently identify printing risks.



## One-Click Printing

Eliminates complex procedures, making dental 3D printing more efficient.



## Model-to-Platform Check

Instant model-to-platform check for seamless printing.

## Technical Specification

<b>PERFORMANCE</b>	Printing Technology	Masked Stereolithography (MSLA)
	Build Volume	198 × 124 × 180mm 7.8" × 4.9" × 7.1"
	XY Resolution	34µm
	Maximum Accuracy*	±10µm
	Layer Thickness (Z Resolution)	10~200µm ( 25, 50, 100µm recommended )
	Separation Mechanism	Patented low force stereo peeling technology Micro-stereo composite peeling structures Unit ( MPS )
	Support	Uniz smart support technology
Printing Speed**	8 dental models in 5 minutes	
<b>HARDWARE</b>	Dimension / Weight	383 × 425 × 712 mm [W×H×D] 15.1" × 16.7" × 28" 34KG / 75LB
	Operating Temperature	18~28° C ( 64~82° F )
	Power Requirement	110V 6A / 220V 3A 60 Hz / 50 Hz
	Optical System	5 <sup>th</sup> Generation Collimated Light Source
	Mechanical	Injection Molding & CNC, Sheet Metal
	Connectivity	USB Flash Drive, Wi-Fi, Ethernet
	Control Pannel	7" Touch Screen
	Slice Format	zslr

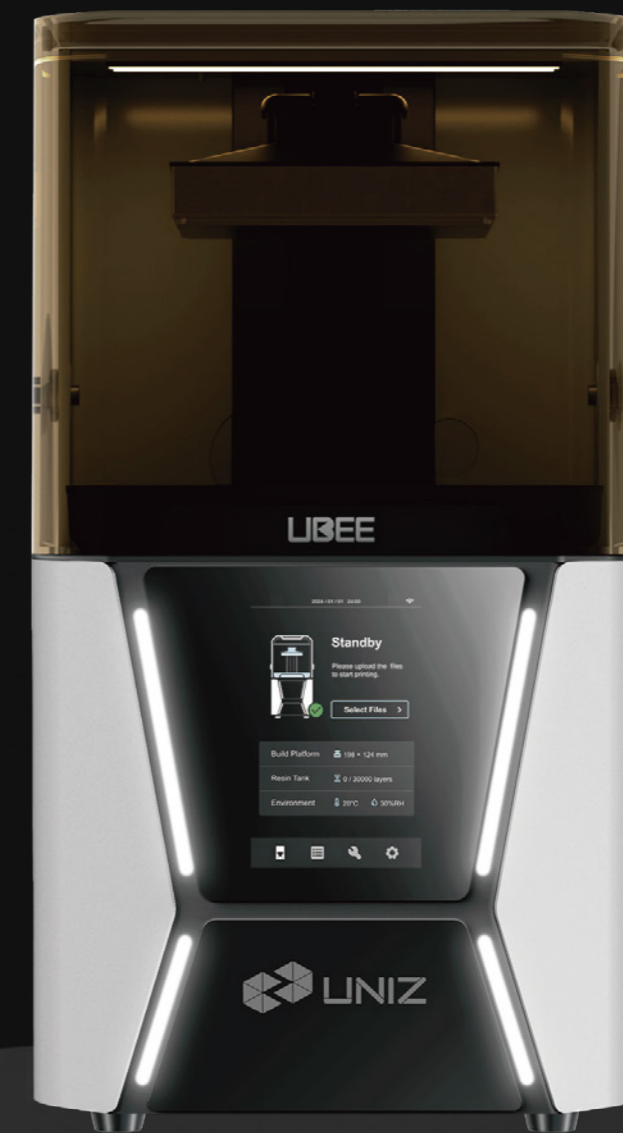
\* Maximum accuracy is only achievable at integer multiples of smallest pixel sizes.

\*\* The printing efficiency is based on the test model, it may differ from one to another.



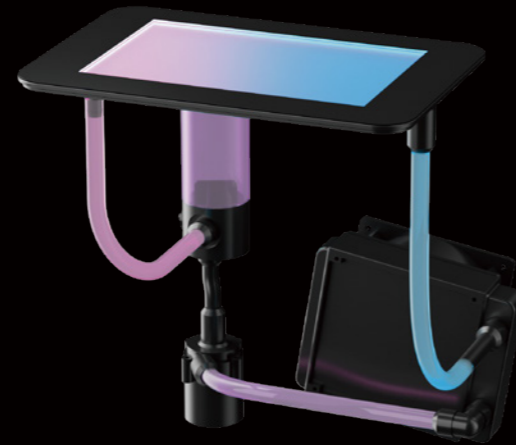
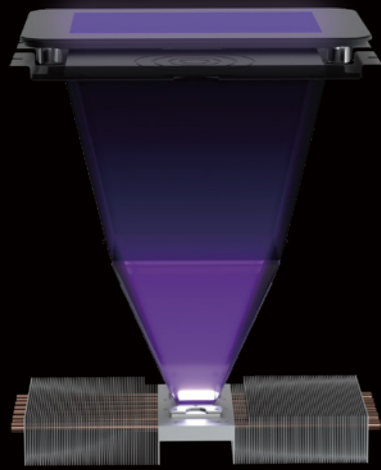
# UBEE

## World's Fastest Desktop Dental Powerhouse



## Ultrafast, Intelligent, Rock-Solid

# Core Features



## Smart Sensor & Control System (SSCS)

- ❖ FSD Module- 4 Z-Axis Force Sensor integrated into the LPU panel
- ❖ Foreign Object Detection
- ❖ Printing Mechanics Control System

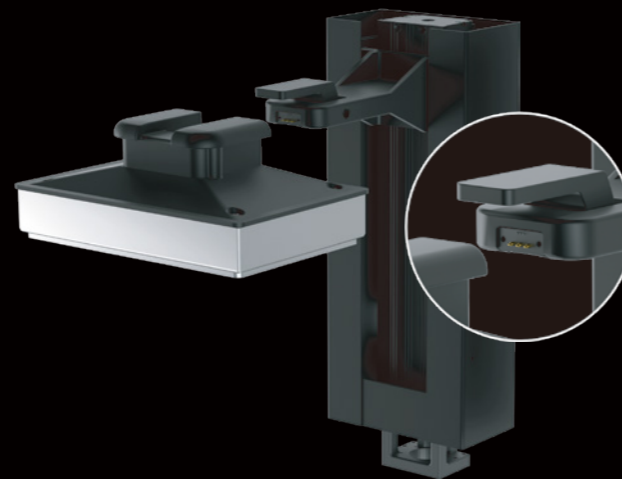
## Liquid Cooling Empowered High Power Photocuring System (LEPH 2.0)

- ❖ Mask panel Liquid Cooling System
- ❖ Force Sensing Display Panel (FSD Module)
- ❖ Light Processing Unit 6 (LPU 6)
- ❖ Intelligent Control Systems



## Industrial Robot - KK Linear Module

- ❖ High-Precision Ball Screw, Servo Motor Control System
- ❖ Ultra-High Rigidity and Longevity



## Smart Identification System (SIS)

- ❖ With NFC and ID Sensing Board Inside
- ❖ Automated Resin Tank Detection
- ❖ Automated Build Platform Detection

## UNIZ Cloud

Revolutionize your printing process with our intelligent platform designed for workshops and labs.



-  Real-time task monitoring & management
-  Visual data analytics for better scheduling
-  Detailed printer status monitoring
-  Instant task completion notifications